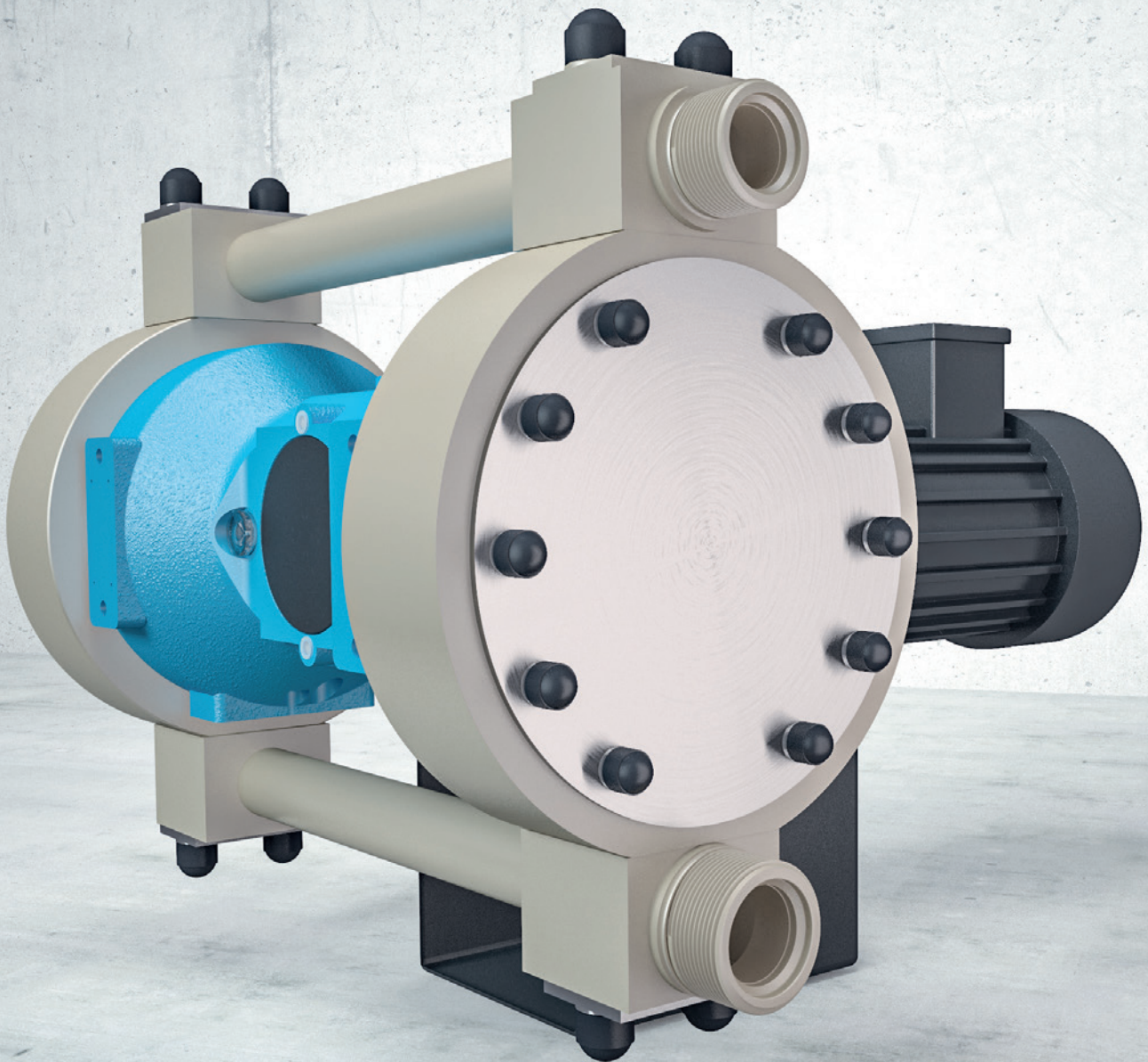


ZX..411.3 FEEDING PUMP



LOW-PULSATION ACTING DIAPHRAGM PUMP FOR HIGH CAPACITY

sera diaphragm pumps are oscillating displacement pumps for dosing liquids. The medium to be pumped is separated from the drive by a diaphragm. This is thus protected from damaging influences of the medium.

They are used everywhere where leak-free and exact dosing is important, such as for aggressive, odorous, abrasive, radioactive, flammable, viscous or toxic media.

Delivery rate adjustment by means of stroke frequency adjustment using external frequency converter and manual stroke length adjustment for optimal adaptation to every requirement.

SAMPLE APPLICATIONS

Fluid media with corrosive, malodorous, abrasive, radioactive, flammable, viscous or toxic properties.

DESIGN

The pump has two pump heads with technical characteristics according to the performance overview. Feeding pumps of the ZXM series operate with a constant stroke frequency, which means that the flow rate is not adjustable.

The ZX series does not have stroke length adjustment like the other motor-driven **sera** diaphragm pumps. However, the ZXRF versions can be controlled via an external frequency converter, allowing the flow rate to then also be adapted to the process conditions. The flow rate of the ZXRI series can be set manually on the integrated frequency converter.

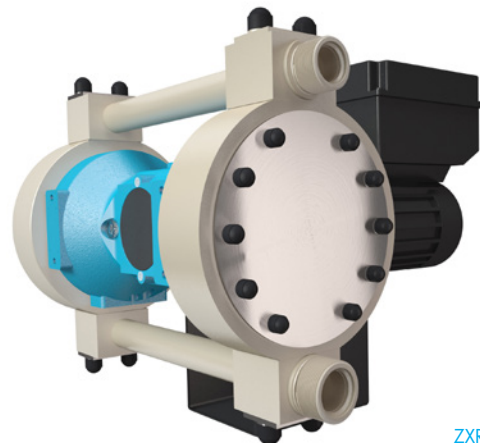
ADVANTAGES AT A GLANCE

- High dosing accuracy
- Long diaphragm service life*
- High-grade materials
- Linear control characteristics (ZXRI models)
- Low maintenance
- Low operating costs
- Leakage-free
- Can be run dry indefinitely
- Easy to use
- Design in accordance with ATEX
- Large suction heights (up to 8 mWS)

* compared to standard working diaphragms on the market



ZXRF 411.3



ZXRI 411.3

VERSIONS

MATERIALS

The high quality of the materials guarantees reliable continuous operation. The optimum material is available for every requirement.

PUMP BODY AND VALVES

PVC-U, PP, PVDF, 1.4571

VALVE BALLS

PTFE, 1.4401, Hastelloy

VALVE SEALS

EPDM, FPM, FEP-coated

WORKING DIAPHRAGM

PTFE-laminated

DRIVE

Each drive unit consists of a proven motor model, coupled with a stroke mechanism in a robust housing. **sera** housings cope with even the harshest conditions.

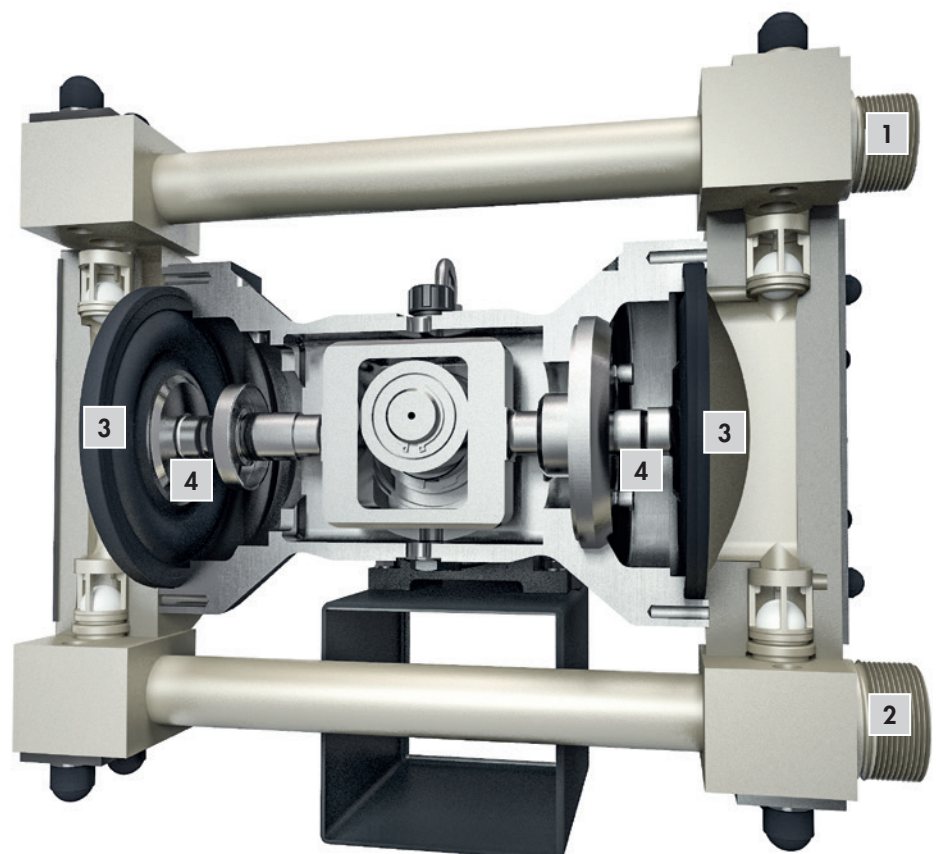
Their material thickness and surface treatment can even withstand chemical attack.

CONTROL

The flow rate of the **sera** diaphragm feeding pumps is either constant (ZXM) or manually adjustable (ZXRI). Automatic flow rate adjustment, depending on analogue input signals, thanks to three-phase motors with frequency converters for stroke frequency adjustment.

ACCESSORIES

We supply all accessories required for optimal installation of dosing pumps, including relief valves, pressure-keeping valves, pulsation dampers, priming aids/siphon vessels, etc.



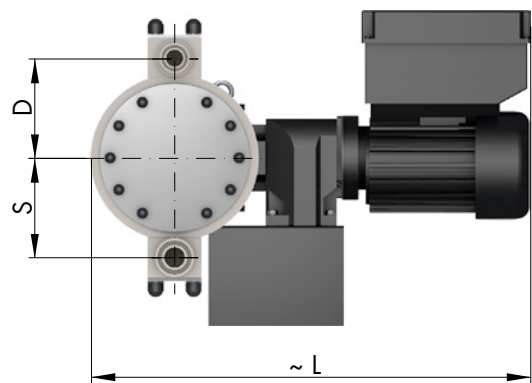
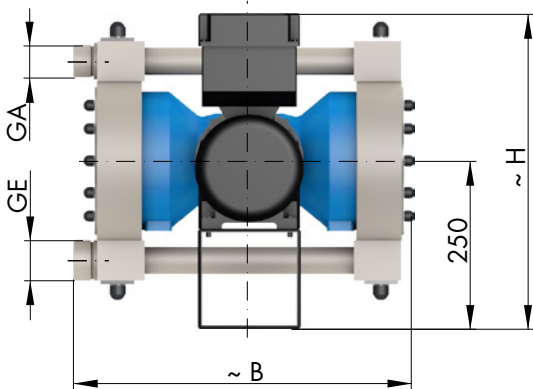
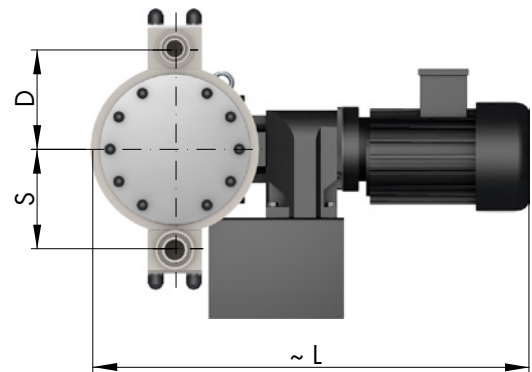
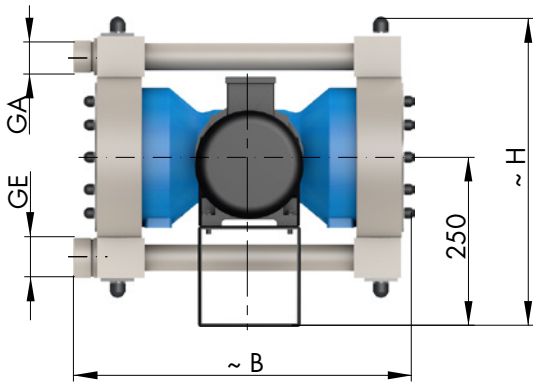
- | | |
|---|-------------------------|
| 1 | Connection on pressure |
| 2 | Suction-side connection |
| 3 | Working diaphragm |
| 4 | Connection rod |

TECHNICAL DATA

PUMP DATA			ZX..411.3-2200e		ZX..411.3-2600e		ZX..411.3-3100e	
			ZXM	ZXR...	ZXM	ZXR..	ZXM	ZXR...
Permissible pressure p_{2max} at the pump outlet	bar		4					
Nominal capacity QN at p_{2max}	l/h	50 Hz	2.200	230-2.200	2.600	230-2.600	3.100	230-3.100
		60 Hz	2.640	230-2.200	3.120	230-2.600	–	230-3.100
Max. suction height	mWC	ZX...(e)	8					
		ZX...						
Min./max. permissible pressure at the pump inlet	$p_{1min/max}$ bar	ZX...(e)	-0,8/0					
		ZX...						
Recommended nominal diameter DN of the connecting pipes	mm	Inlet	32					
		Outlet	25					
Nominal stroke frequency	1/min	50 Hz	92	84	103	110	128	123
		60 Hz	110	–	123	110	–	123
Weight approx.	kg	plastic	67	72	72	75	73	76
		stainless steel	95	100	100	107	106	109

ELECTRICAL DATA		ZXM 411.3-... e	ZXRF 411.3-... e	ZXRI 411.3-... e
Power consumption	kW	0,75	1,1	1,1
Voltage	V	230/400V 50Hz, 460V 60Hz		
Frequency	Hz	50/60		
Protection category	IP	65	65	55

DIMENSIONS



		ZX..411.3-2200e		ZX..411.3-2600e		ZX..411.3-3100e	
		ZXM...	ZXR...	ZXM...	ZXR..	ZXM...	ZXR...
SUCTION VALVES ⁽¹⁾							
DN	Nominal width	32	32	32	32	32	32
GE	Connection thread	G2	G2	G2	G2	G2	G2
S	Valves	PP-FRP	148	148	148	148	148
PRESSURE VALVES ⁽¹⁾							
DN	Nominal width	25	25	25	25	25	25
GA	Connection thread	G1 1/2	G1 1/2	G1 1/2	G1 1/2	G1 1/2	G1 1/2
D	Valves	PP-FRP	148	148	148	148	148
MAX. TOTAL HEIGHT							
H		457	459	457	459	457	459
MAX. TOTAL WIDTH							
B		500	500	500	500	500	500
MAX. TOTAL LENGTH							
L		580	650	580	650	580	650

(Measurements in mm) ⁽¹⁾ standard design

FOLLOW US



www.sera-web.com